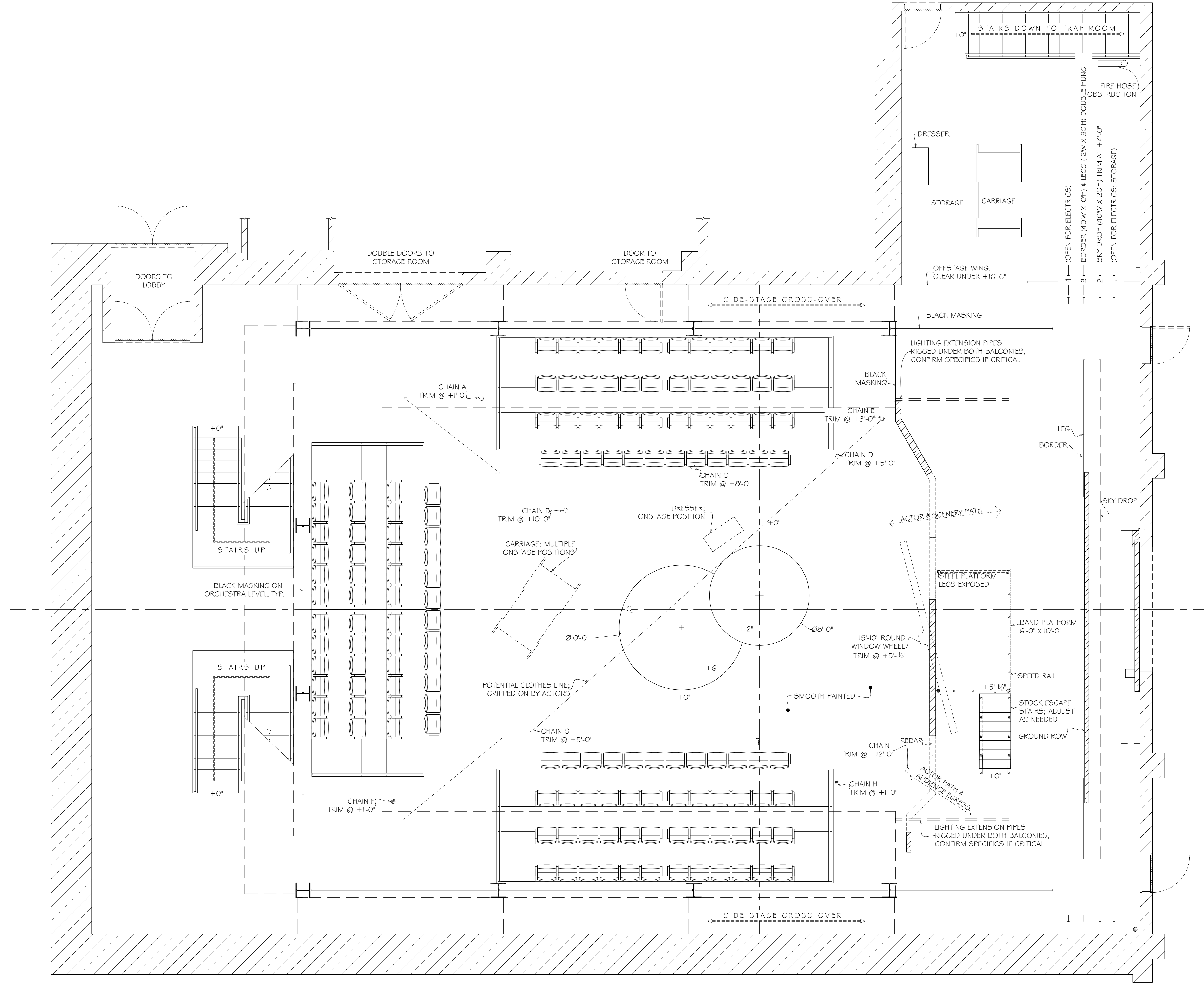


BONNETS

- NOTES:
- VERTICAL HANGING CHAINS HANG FROM GRID EXCEPT WHEN HUNG UNDER BALCONY
 - WINDOW WHEEL HAS 15'-10" DIAMETER; WITH BROKEN STAIN PAINTED PLEXI ON BACK



ALL MATERIALS, CONSTRUCTION AND FINISHES MUST COMPLY WITH THE MOST STRINGENT APPLICABLE FEDERAL AND LOCAL SAFETY CODES.

THIS DRAWING AND ALL THE IDEAS, ARRANGEMENTS, DESIGNS AND PLANS CONTAINED HEREIN OR REPRESENTED THEREBY ARE OWNED AND REMAIN THE PROPERTY OF THE DESIGNER, AND HAVE BEEN CREATED AND DEVELOPED FOR USE ON, AND IN CONNECTION WITH, THE PROJECT SPECIFIED. NEITHER THIS DRAWING NOR ANY OF SUCH IDEAS, ARRANGEMENTS, DESIGNS OR PLANS SHALL BE APPROPRIATED BY OR DISCLOSED TO ANY PERSON, FIRM OR CORPORATION FOR ANY USE WHATSOEVER, EXCEPT BY SPECIFIC AND WRITTEN PERMISSION OF THE DESIGNER.

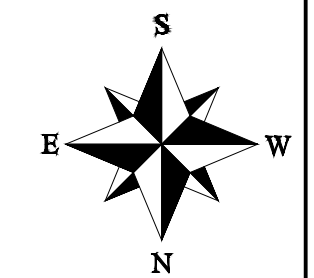
WRITTEN DIMENSIONS ON DRAWINGS SHALL HAVE AUTHORITY OVER SCALED CONSTRUCTION AND MANUFACTURERS SHALL VERIFY AND BE RESPONSIBLE FOR ALL DIMENSIONS AND CONDITIONS ON THE JOB, AND SHALL INFORM THE DESIGNER OF ALL VARIATIONS FROM DRAWINGS PRIOR TO PERFORMING THE WORK. THE DESIGNER SHALL FIRST SEE AND APPROVE CONTRACTOR'S FULL-SIZE DETAILS BEFORE ANY FABRICATION BEGINS.

THESE DRAWINGS REPRESENT VISUAL CONCEPTS AND CONSTRUCTION SUGGESTIONS ONLY. THE DESIGNER AND HIS/HER EMPLOYEES AND ASSISTANTS ARE NOT QUALIFIED TO DETERMINE THE STRUCTURAL APPROPRIATENESS OF THESE DECISIONS, AND WILL NOT ASSUME RESPONSIBILITY FOR IMPROPER ENGINEERING, CONSTRUCTION AND/OR HANDLING OF THE SCENERY REPRESENTED HEREIN.

SCALE:	1/4" = 1'-0"
DRWG:	RACHEL ROSE BURKE
DATE:	09/19/2020
REVISION(S):	

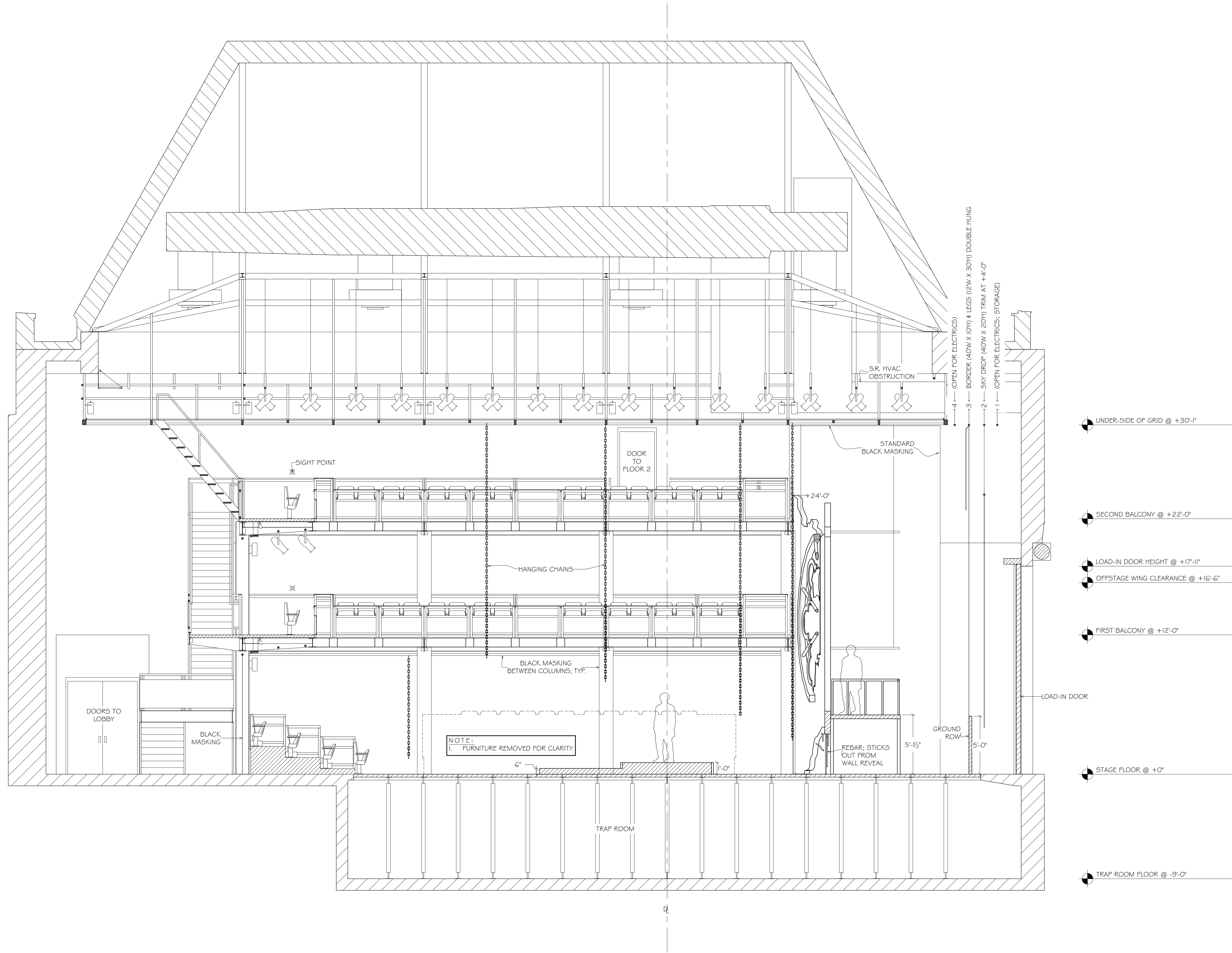
DRAWING TITLE
GROUND PLAN

SHEET NO.



BONNETS

- NOTES:
1. SEE SHEET 3A FOR CHAIN LOCATIONS
 2. SEE SHEET 7 FOR CHAIN LENGTHS
 3. SEE SHEET 5 FOR WINDOW DETAILS



ALL MATERIALS, CONSTRUCTION AND FINISHES MUST COMPLY WITH THE MOST STRINGENT APPLICABLE FEDERAL AND LOCAL SAFETY CODES.

THIS DRAWING AND ALL THE IDEAS, ARRANGEMENTS, DESIGNS AND PLANS CONTAINED HEREIN OR REPRESENTED THEREBY ARE OWNED AND REMAIN THE PROPERTY OF THE DESIGNER, AND HAVE BEEN CREATED AND DEVELOPED FOR USE ON, AND IN CONNECTION WITH, THE PROJECT SPECIFIED. NEITHER THIS DRAWING NOR ANY OF SUCH IDEAS, ARRANGEMENTS, DESIGNS OR PLANS SHALL BE APPROPRIATED BY OR DISCLOSED TO ANY PERSON, FIRM OR CORPORATION FOR ANY USE WHATSOEVER, EXCEPT BY SPECIFIC AND WRITTEN PERMISSION OF THE DESIGNER.

WRITTEN DIMENSIONS ON DRAWINGS SHALL HAVE AUTHORITY OVER SCALED CONSTRUCTORS AND MANUFACTURERS SHALL VERIFY AND BE RESPONSIBLE FOR ALL DIMENSIONS AND CONDITIONS ON THE JOB, AND SHALL INFORM THE DESIGNER OF ALL VARIATIONS FROM DRAWINGS PRIOR TO PERFORMING THE WORK. THE DESIGNER SHALL FIRST SEE AND APPROVE CONTRACTOR'S FULL-SIZE DETAILS BEFORE ANY FABRICATION IS BEGUN.

THESE DRAWINGS REPRESENT VISUAL CONCEPTS AND CONSTRUCTION SUGGESTIONS ONLY. THE DESIGNER AND HIS/HER EMPLOYEES AND ASSISTANTS ARE NOT QUALIFIED TO DETERMINE THE STRUCTURAL APPROPRIATENESS OF THESE DECISIONS, AND WILL NOT ASSUME RESPONSIBILITY FOR IMPROPER ENGINEERING, CONSTRUCTION AND/OR HANDLING OF THE SCENERY REPRESENTED HEREIN.

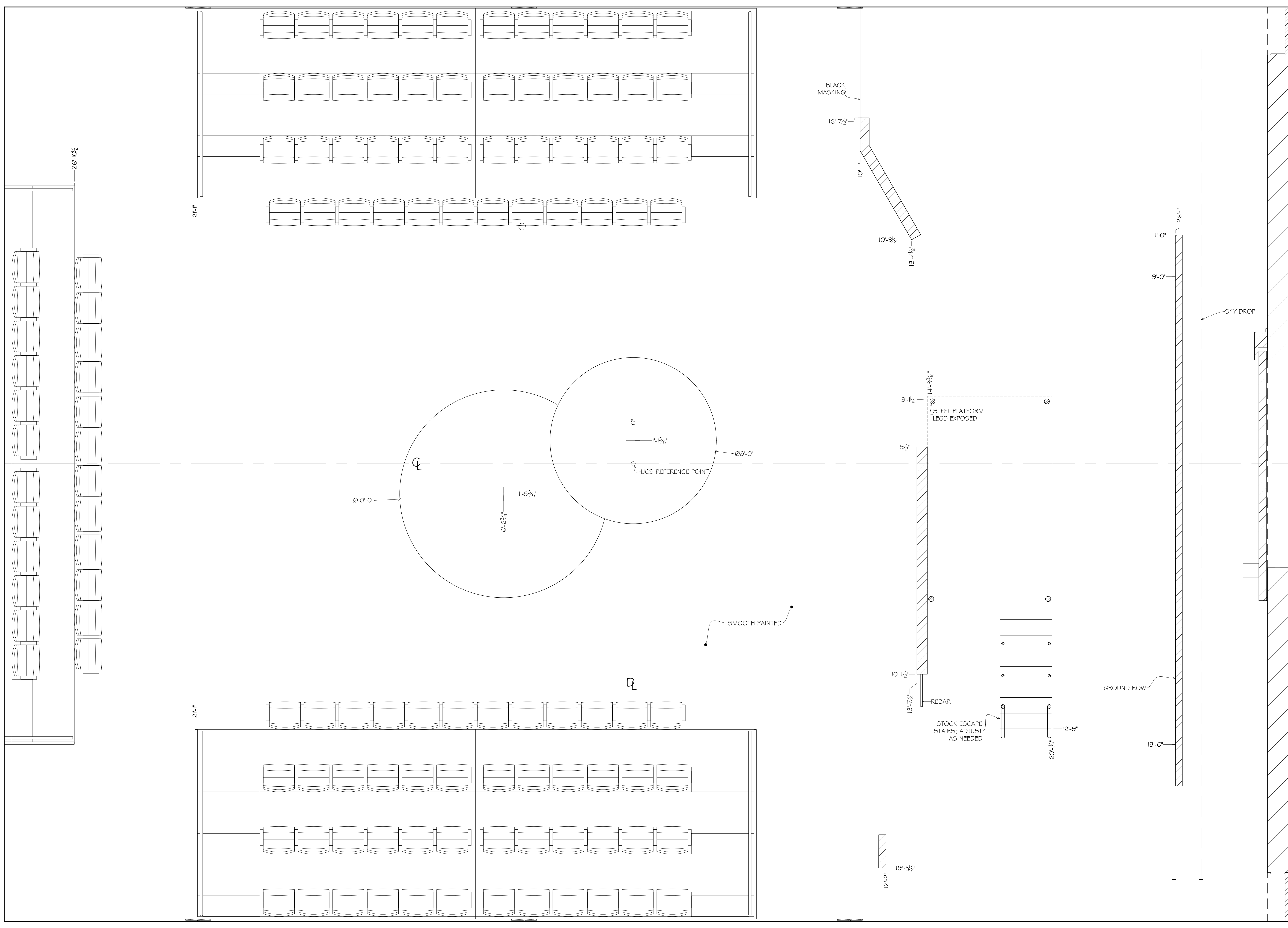
SCALE:	1/4" = 1'-0"
DRWG:	RACHEL ROSE BURKE
DATE:	09/19/2020
REVISION(S):	

DRAWING TITLE

S.R. CENTERLINE SECTION

SHEET NO.

BONNETS



ALL MATERIALS, CONSTRUCTION AND FINISHES MUST COMPLY WITH THE MOST STRINGENT APPLICABLE FEDERAL AND LOCAL SAFETY CODES.
 THIS DRAWING AND ALL THE IDEAS, ARRANGEMENTS, DESIGNS AND PLANS CONTAINED HEREIN OR REPRESENTED THEREBY ARE OWNED AND REMAIN THE PROPERTY OF THE DESIGNER, AND HAVE BEEN CREATED AND DEVELOPED FOR USE ON, AND IN CONNECTION WITH, THE PROJECT SPECIFIED. NEITHER THIS DRAWING, NOR ANY OF SUCH IDEAS, ARRANGEMENTS, DESIGNS OR PLANS SHALL BE APPROPRIATED BY OR DISCLOSED TO ANY PERSON, FIRM OR CORPORATION FOR ANY USE WHATSOEVER, EXCEPT BY SPECIFIC AND WRITTEN PERMISSION OF THE DESIGNER.
 WRITTEN DIMENSIONS ON DRAWINGS SHALL HAVE AUTHORITY OVER SCALED. CONTRACTORS AND MANUFACTURERS SHALL VERIFY AND BE RESPONSIBLE FOR ALL DIMENSIONS AND CONDITIONS ON THE JOB, AND SHALL INFORM THE DESIGNER OF ALL VARIATIONS FROM DRAWINGS PRIOR TO PERFORMING THE WORK. THE DESIGNER SHALL FIRST SEE AND APPROVE CONTRACTOR'S FULL-SIZE DETAILS BEFORE ANY FABRICATION IS BEGUN.
 THESE DRAWINGS REPRESENT VISUAL CONCEPTS AND CONSTRUCTION SUGGESTIONS ONLY. THE DESIGNER AND HIS/HER EMPLOYEES AND ASSISTANTS ARE NOT QUALIFIED TO DETERMINE THE STRUCTURAL APPROPRIATENESS OF THESE DECISIONS, AND WILL NOT ASSUME RESPONSIBILITY FOR IMPROPER ENGINEERING, CONSTRUCTION AND/OR HANDLING OF THE SCENERY REPRESENTED HEREIN.

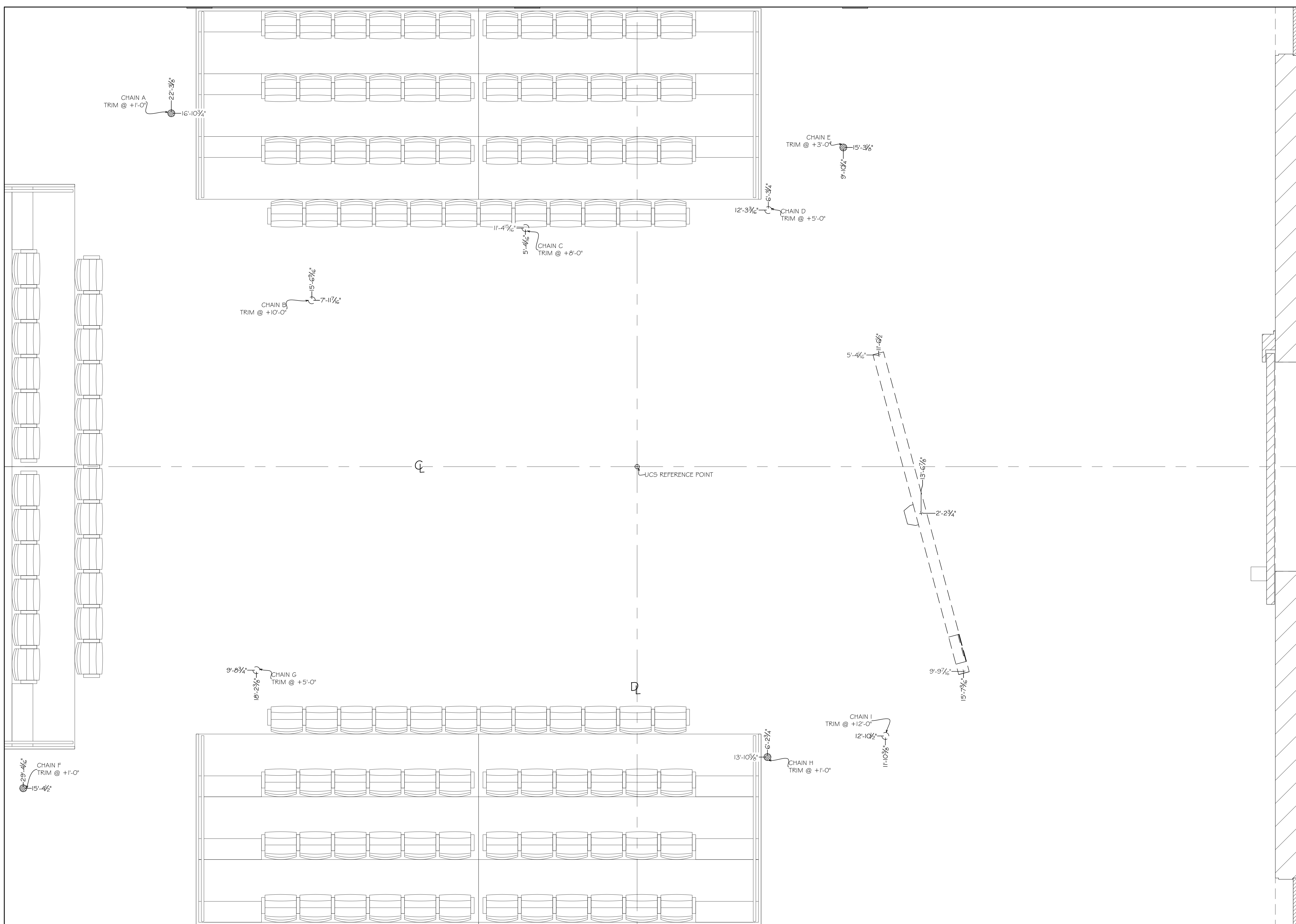
SCALE: 1/2" = 1'-0"
 DRWG: RACHEL ROSE BURKE
 DATE: 09/19/2020
 REVISION(S):

DRAWING TITLE
DECK LAYOUT

SHEET NO.
3

BONNETS

- NOTES:
- SEE SHEET 7 FOR CHAIN LENGTHS
 - SEE SHEET 5 FOR WINDOW DETAILS



ALL MATERIALS, CONSTRUCTION AND FINISHES MUST COMPLY WITH THE MOST STRINGENT APPLICABLE FEDERAL AND LOCAL SAFETY CODES.
 THIS DRAWING AND ALL THE IDEAS, ARRANGEMENTS, DESIGNS AND PLANS CONTAINED HEREIN OR REPRESENTED THEREBY ARE OWNED AND REMAIN THE PROPERTY OF THE DESIGNER, AND HAVE BEEN CREATED AND DEVELOPED FOR USE ON, AND IN CONNECTION WITH, THE PROJECT SPECIFIED. NEITHER THIS DRAWING, NOR ANY OF SUCH IDEAS, ARRANGEMENTS, DESIGNS OR PLANS SHALL BE APPROPRIATED BY OR DISCLOSED TO ANY PERSON, FIRM OR CORPORATION FOR ANY USE WHATSOEVER, EXCEPT BY SPECIFIC AND WRITTEN PERMISSION OF THE DESIGNER.
 WRITTEN DIMENSIONS ON DRAWINGS SHALL HAVE AUTHORITY OVER SCALED CONSTRUCTORS AND MANUFACTURERS SHALL VERIFY AND BE RESPONSIBLE FOR ALL DIMENSIONS AND CONDITIONS ON THE JOB, AND SHALL INFORM THE DESIGNER OF ALL VARIATIONS FROM DRAWINGS PRIOR TO PERFORMING THE WORK. THE DESIGNER SHALL FIRST SEE AND APPROVE CONTRACTOR'S FULL-SIZE DETAILS BEFORE ANY FABRICATION IS BEGUN.
 THESE DRAWINGS REPRESENT VISUAL CONCEPTS AND CONSTRUCTION SUGGESTIONS ONLY. THE DESIGNER AND HIS/HER EMPLOYEES AND ASSISTANTS ARE NOT QUALIFIED TO DETERMINE THE STRUCTURAL APPROPRIATENESS OF THESE DECISIONS, AND WILL NOT ASSUME RESPONSIBILITY FOR IMPROPER ENGINEERING, CONSTRUCTION AND/OR HANDLING OF THE SCENERY REPRESENTED HEREIN.

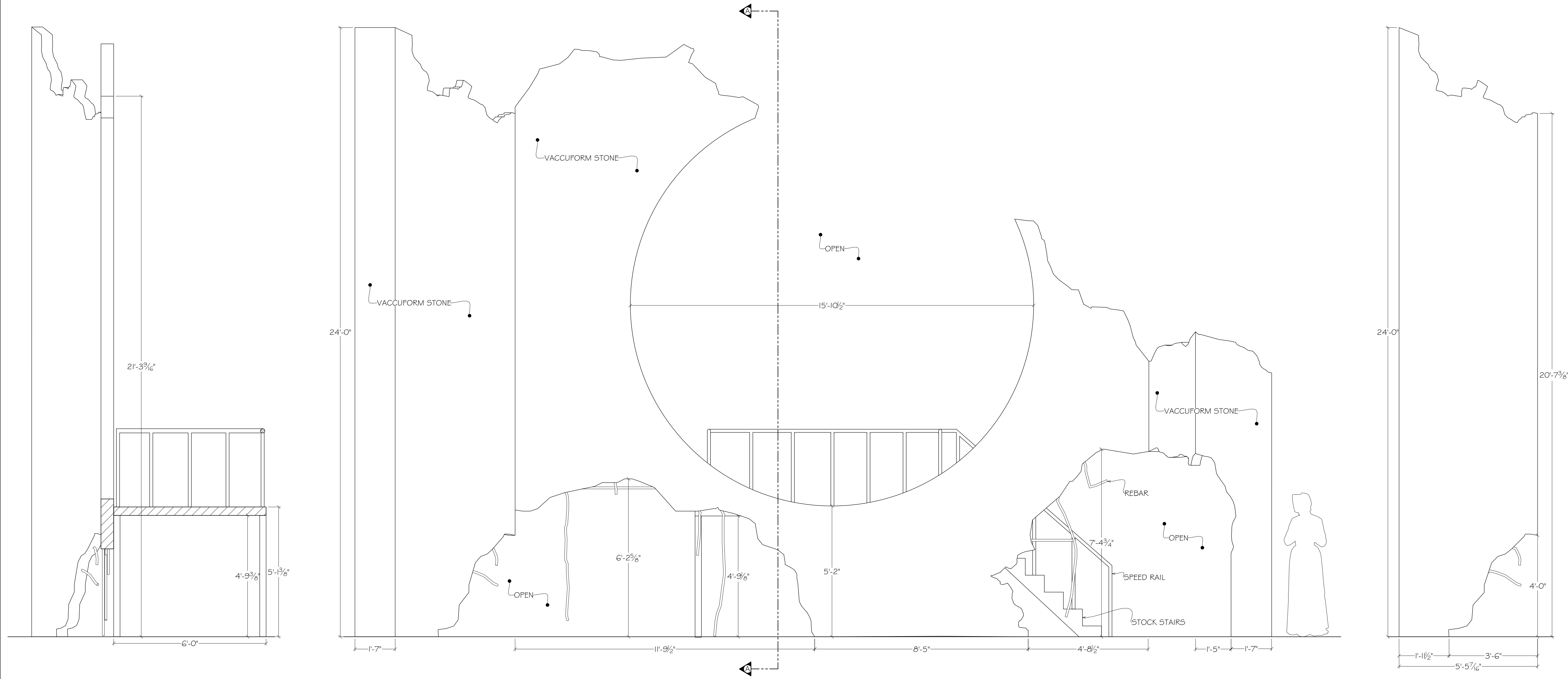
SCALE:	1/2" = 1'-0"
DRWG:	RACHEL ROSE BURKE
DATE:	09/19/2020
REVISION(S):	

DRAWING TITLE
RIGGING LAYOUT

SHEET NO.
3A

BONNETS

NOTES:
 1. THERE WILL BE 4-5 BAND MEMBERS ON THE PLATFORM AT A GIVEN TIME

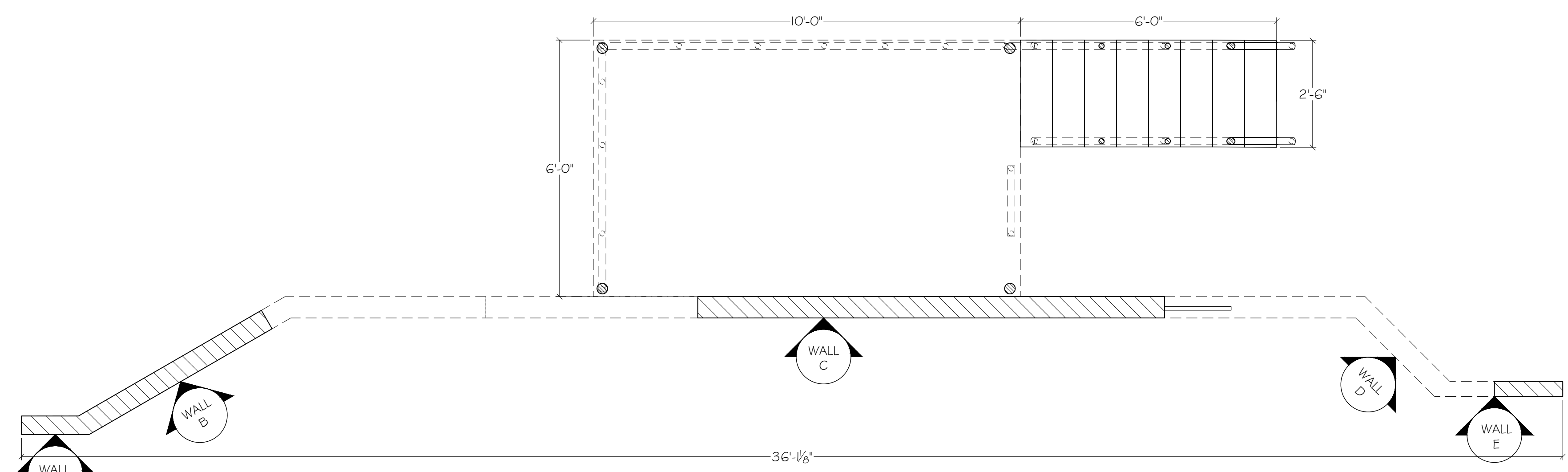


SECTION A.A
US WALL & BAND PLATFORM

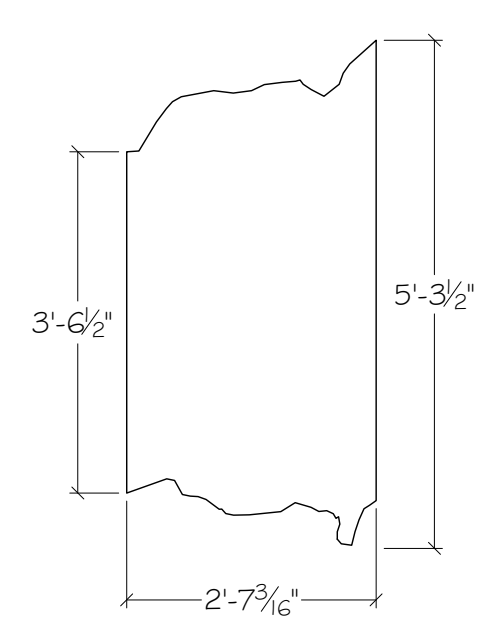
COMPOSITE FRONT VIEW
US WALL & BAND PLATFORM

TRUE FRONT VIEW
US WALL B

- NOTES:
- CUT-OFF EDGES SHOULD LOOK NATURAL AND ADHERE WITH THE PATTERN OF THE VACCUFORM STONE
 - REBAR CAN BE FAUX PAINTED
 - WINDOW UNIT WILL BE RIGGED AND HUNG BETWEEN CENTRAL SECTION OF WALL



COMPOSITE PLAN VIEW
US WALL & BAND PLATFORM



TRUE FRONT VIEW
US WALL D

ALL MATERIALS, CONSTRUCTION AND FINISHES MUST COMPLY WITH THE MOST STRINGENT APPLICABLE FEDERAL AND LOCAL SAFETY CODES.
 THIS DRAWING AND ALL THE IDEAS, ARRANGEMENTS, DESIGNS AND PLANS CONTAINED HEREIN OR REPRESENTED THEREBY ARE OWNED AND REMAIN THE PROPERTY OF THE DESIGNER, AND HAVE BEEN CREATED AND DEVELOPED FOR USE ON, AND IN CONNECTION WITH, THE PROJECT SPECIFIED. NEITHER THIS DRAWING NOR ANY OF SUCH IDEAS, ARRANGEMENTS, DESIGNS OR PLANS SHALL BE APPROPRIATED BY OR DISCLOSED TO ANY PERSON, FIRM OR CORPORATION FOR ANY USE WHATSOEVER, EXCEPT BY SPECIFIC AND WRITTEN PERMISSION OF THE DESIGNER.
 WRITTEN DIMENSIONS ON DRAWINGS SHALL HAVE AUTHORITY OVER SCALED, CONTRACTORS AND MANUFACTURERS SHALL VERIFY AND BE RESPONSIBLE FOR ALL DIMENSIONS AND CONDITIONS ON THE JOB, AND SHALL INFORM THE DESIGNER OF ALL VARIATIONS FROM DRAWINGS PRIOR TO PERFORMING THE WORK. THE DESIGNER SHALL FIRST SEE AND APPROVE CONTRACTORS FULL-SIZE DETAILS BEFORE ANY FABRICATION IS BEGUN.
 THESE DRAWINGS REPRESENT VISUAL CONCEPTS AND CONSTRUCTION SUGGESTIONS ONLY. THE DESIGNER AND HIS/HER EMPLOYEES AND ASSISTANTS ARE NOT QUALIFIED TO DETERMINE THE STRUCTURAL APPROPRIATENESS OF THESE SUGGESTIONS AND WILL NOT ASSUME RESPONSIBILITY FOR IMPROPER ENGINEERING, CONSTRUCTION AND/OR HANDLING OF THE SCENERY REPRESENTED HEREIN.

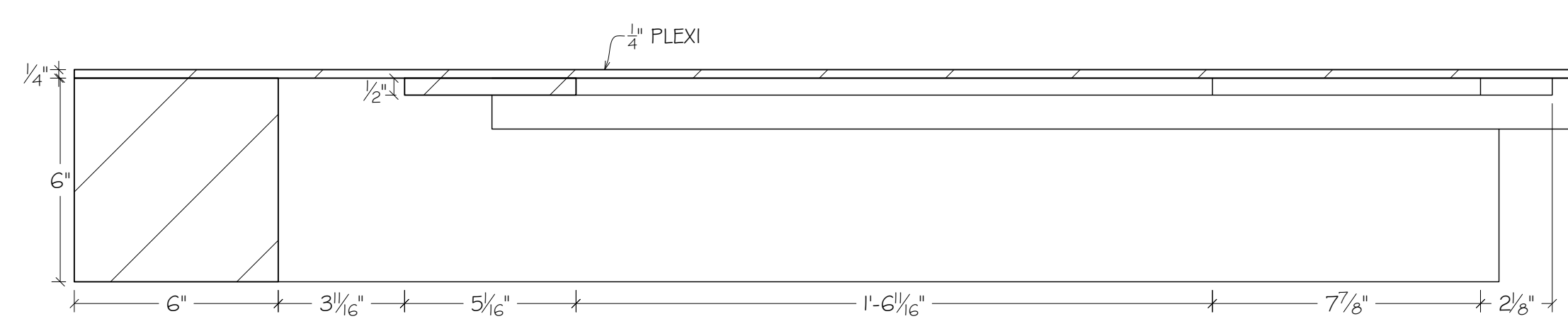
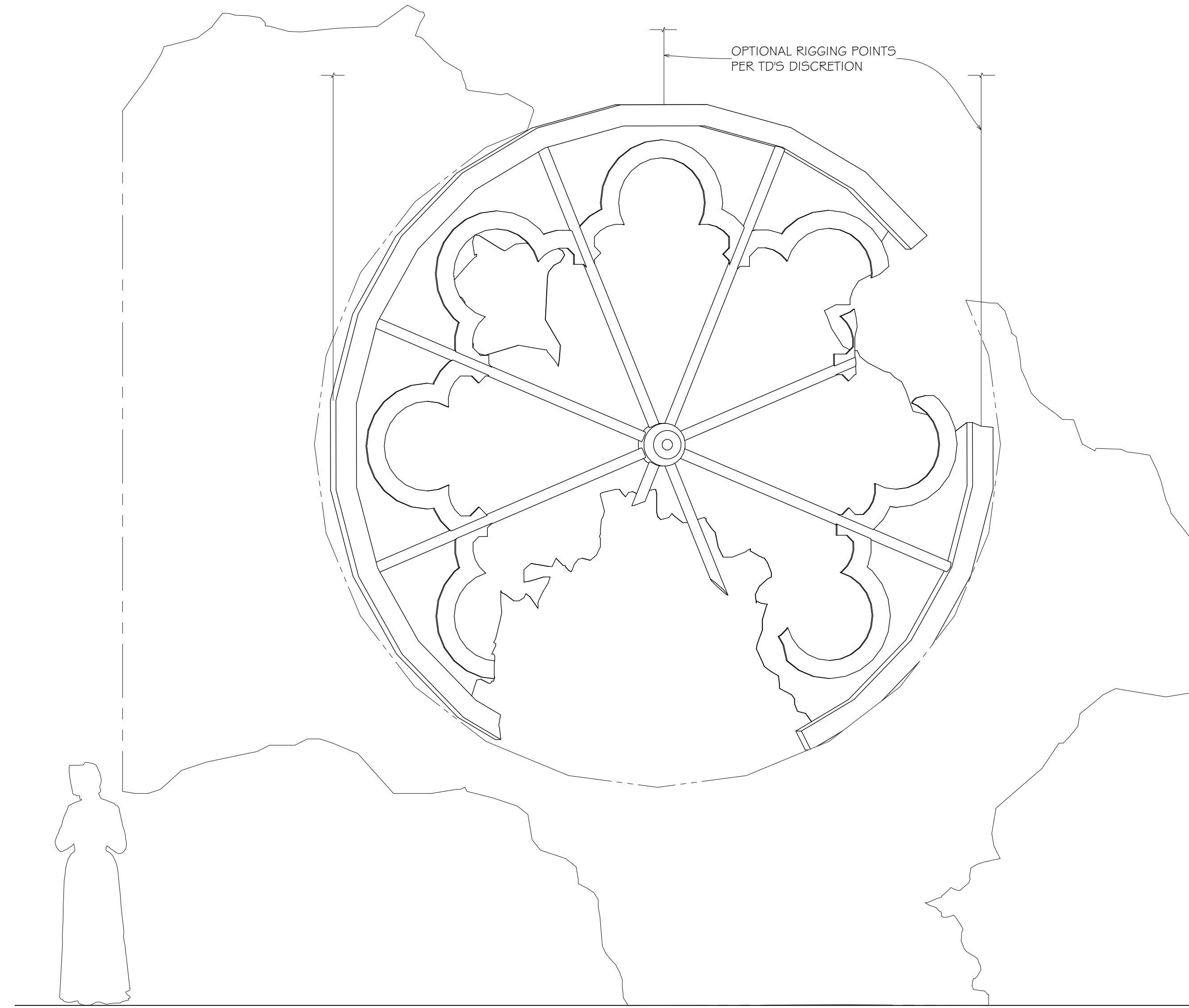
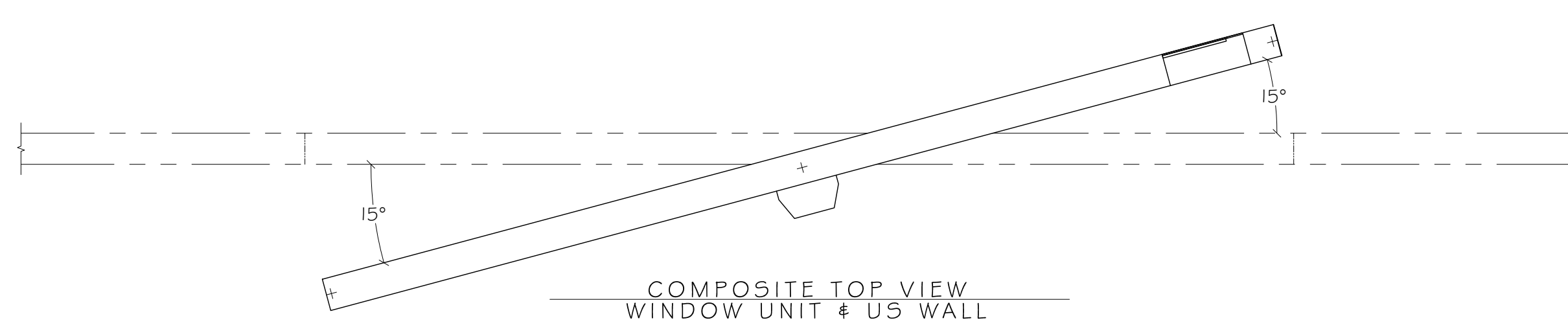
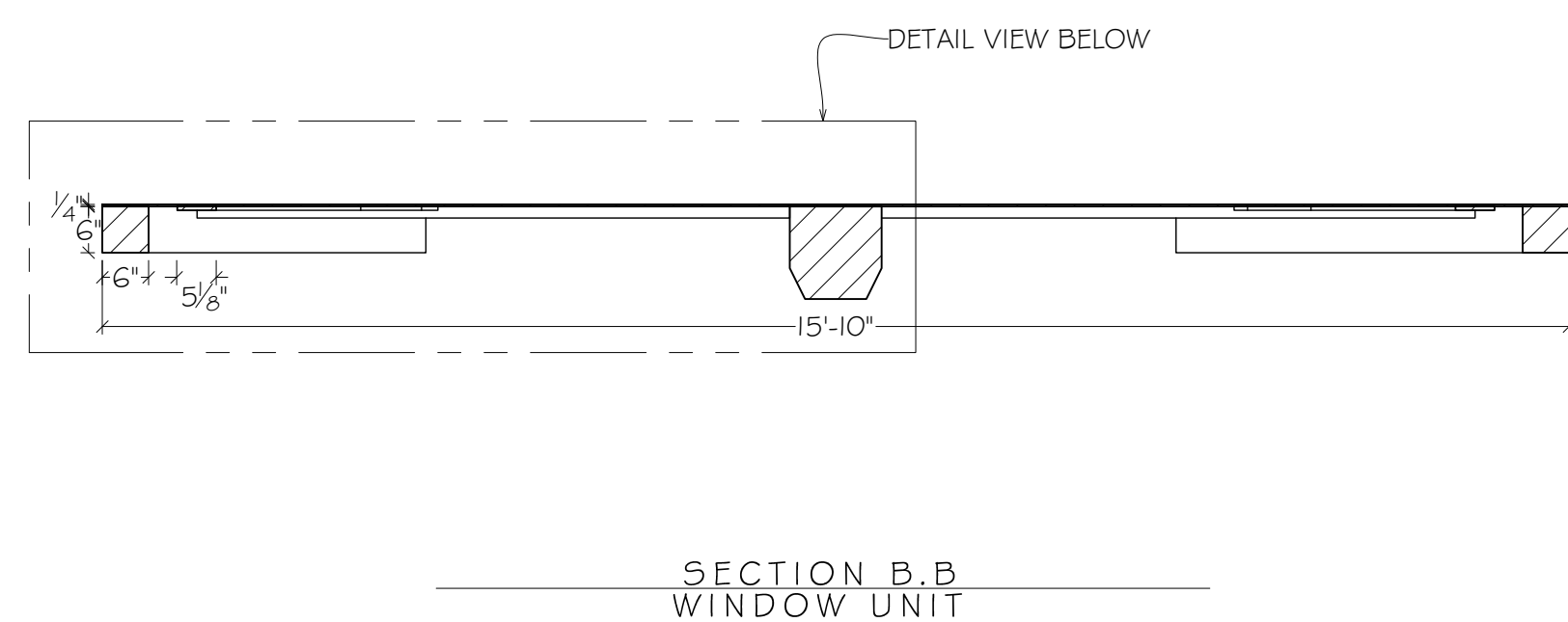
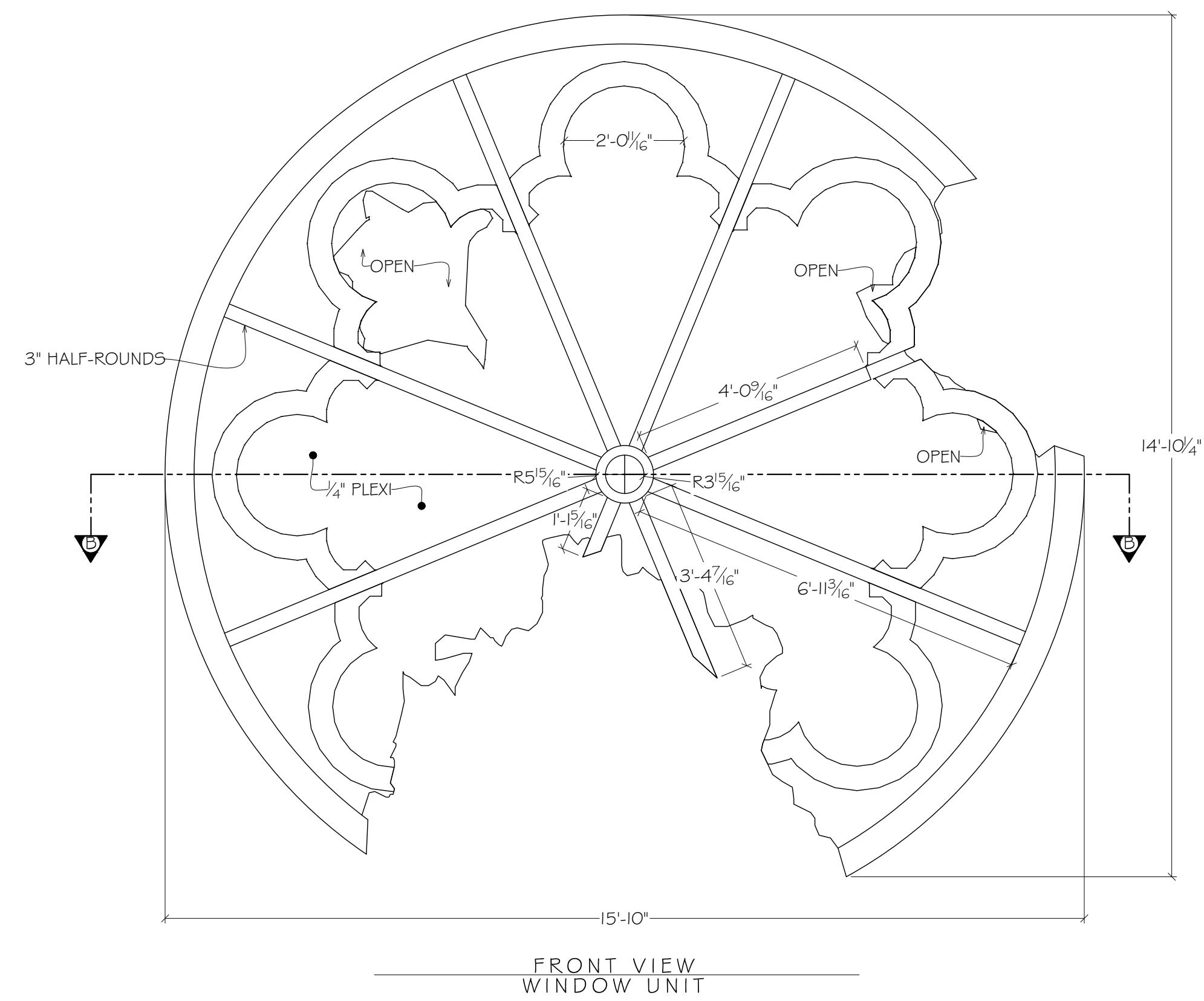
SCALE:	1/2" = 1'-0"
DRWG:	RACHEL ROSE BURKE
DATE:	09/19/2020
REVISION(S):	

DRAWING TITLE
US WALL & BAND PLATFORM

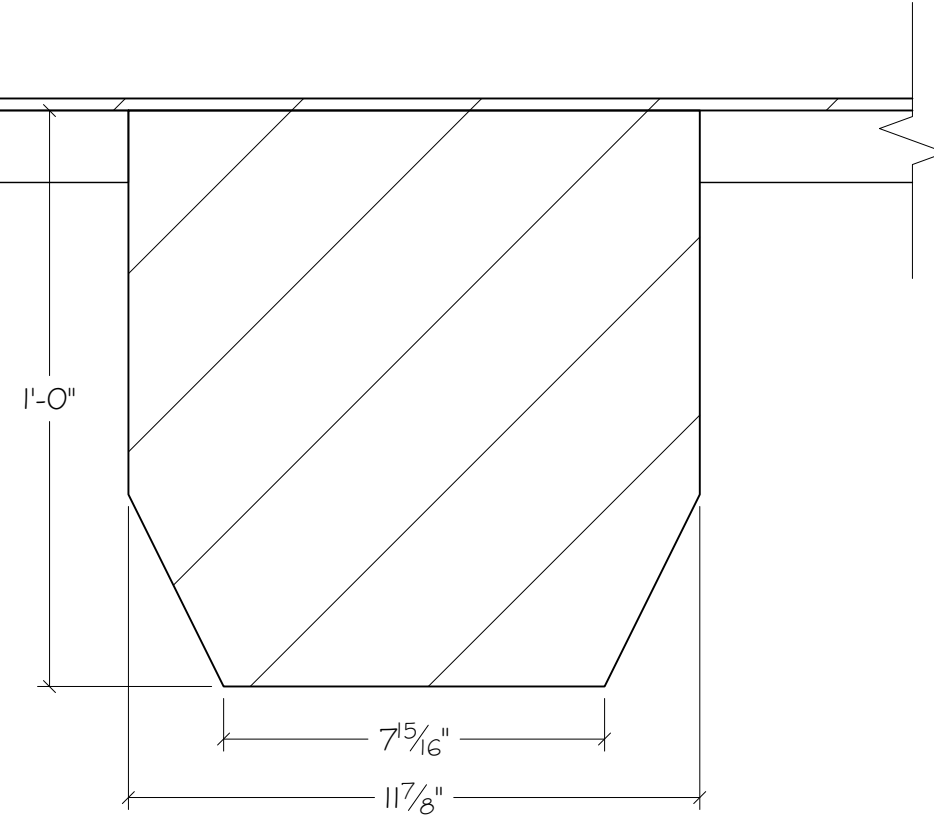
SHEET NO.

BONNETS

- NOTES:
1. OPENINGS IN PLEXI SHOULD LOOK JAGGED AND NATURAL
 2. CNC RECOMMENDED FOR ARCHED DETAILS OF THE WINDOW
 3. PLEXI GLASS WILL BE PAINTED TO LOOK LIKE STAINED GLASS-NEEDS LONGER PAINT TIME
 4. RIGGING POINTS UP TO TD'S DISCRETION
 5. MAY BE HUNG WITH AIRCRAFT CABLE, WIRE ROPE OR CHAIN PREFERABLY



DETAIL VIEW; SECTION B.B WINDOW UNIT
 SCALE: 3" = 1'-0"



ALL MATERIALS, CONSTRUCTION AND FINISHES MUST COMPLY WITH THE MOST STRINGENT APPLICABLE FEDERAL AND LOCAL SAFETY CODES.

THIS DRAWING AND ALL THE IDEAS, ARRANGEMENTS, DESIGNS AND PLANS CONTAINED HEREIN OR REPRESENTED THEREBY ARE OWNED AND REMAIN THE PROPERTY OF THE DESIGNER, AND HAVE BEEN CREATED AND DEVELOPED FOR USE ON, AND IN CONNECTION WITH, THE PROJECT SPECIFIED. NEITHER THIS DRAWING, NOR ANY OF SUCH IDEAS, ARRANGEMENTS, DESIGNS OR PLANS SHALL BE APPROPRIATED BY OR DISCLOSED TO ANY PERSON, FIRM OR CORPORATION FOR ANY USE WHATSOEVER, EXCEPT BY SPECIFIC AND WRITTEN PERMISSION OF THE DESIGNER.

WRITTEN DIMENSIONS ON DRAWINGS SHALL HAVE AUTHORITY OVER SCALED. CONTRACTORS AND MANUFACTURERS SHALL VERIFY AND BE RESPONSIBLE FOR ALL DIMENSIONS AND CONDITIONS ON THE JOB, AND SHALL INFORM THE DESIGNER OF ALL VARIATIONS FROM DRAWINGS PRIOR TO PERFORMING THE WORK. THE DESIGNER SHALL FIRST SEE AND APPROVE CONTRACTOR'S FULL-SIZE DETAILS BEFORE ANY FABRICATION IS BEGUN.

THESE DRAWINGS REPRESENT VISUAL CONCEPTS AND CONSTRUCTION SUGGESTIONS ONLY. THE DESIGNER AND HIS/HER EMPLOYEES AND ASSISTANTS ARE NOT QUALIFIED TO DETERMINE THE STRUCTURAL APPROPRIATENESS OF THESE SUGGESTIONS, AND WILL NOT ASSUME RESPONSIBILITY FOR IMPROPER ENGINEERING, CONSTRUCTION AND/OR HANDLING OF THE SCENERY REPRESENTED HEREIN.

SCALE: 1/2" = 1'-0" & AS NOTED
 DRWG: RACHEL ROSE BURKE
 DATE: 09/19/2020
 REVISION(S):

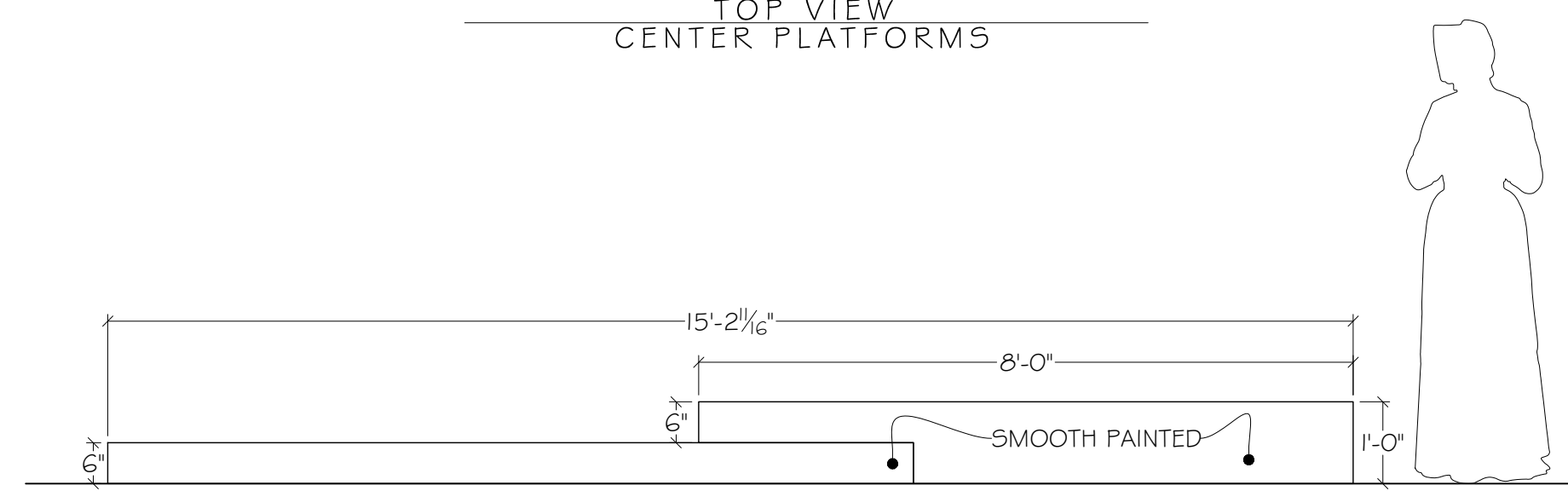
DRAWING TITLE
WINDOW

SHEET NO.
5

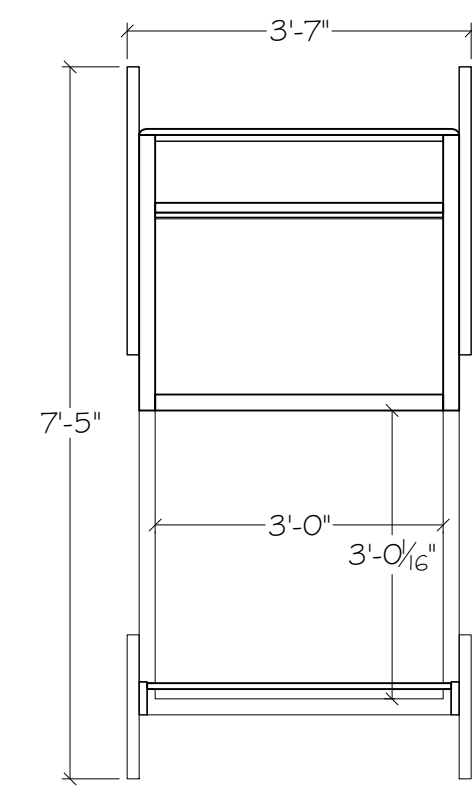
BONNETS



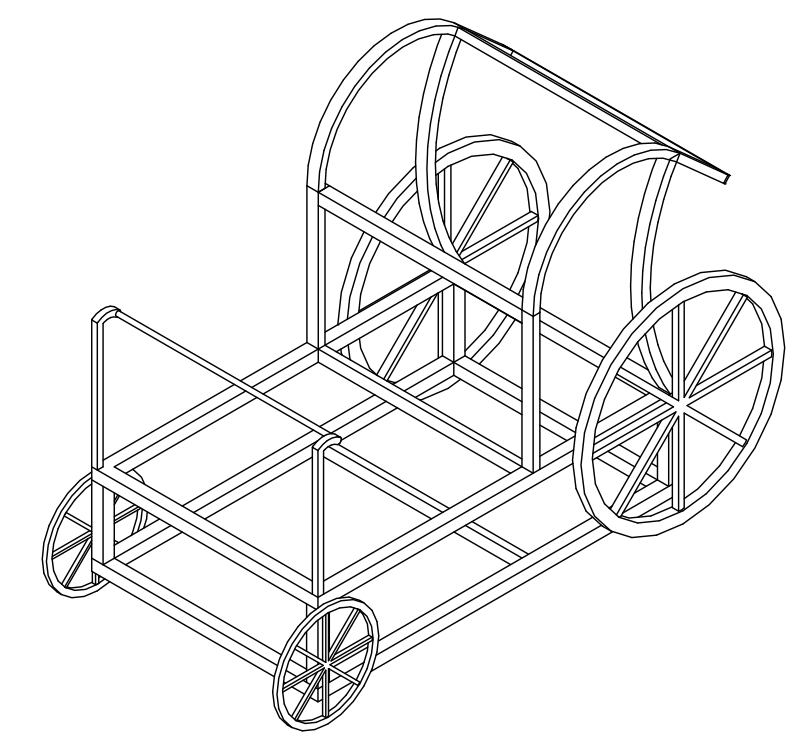
TOP VIEW
CENTER PLATFORMS



FRONT VIEW
CENTER PLATFORMS

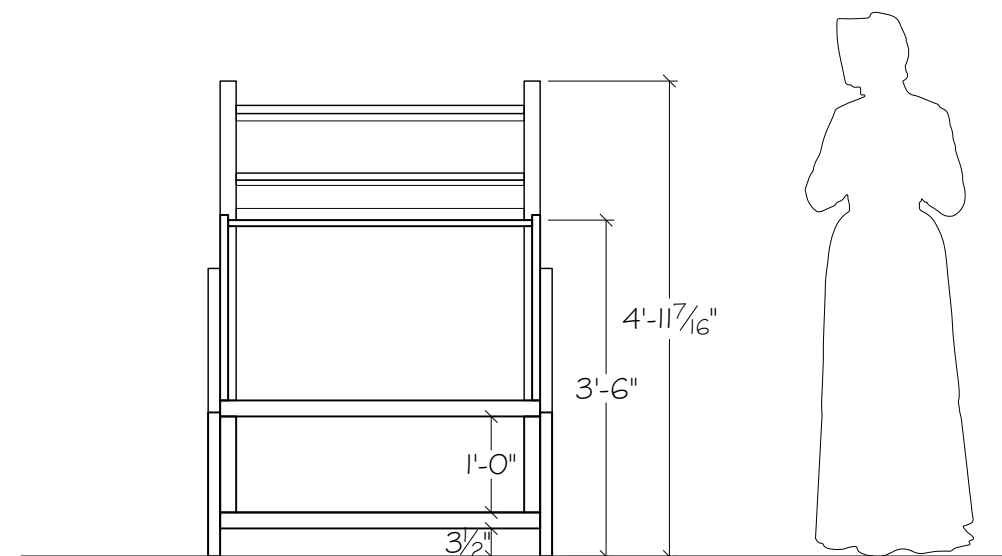


TOP VIEW
CARRIAGE UNIT

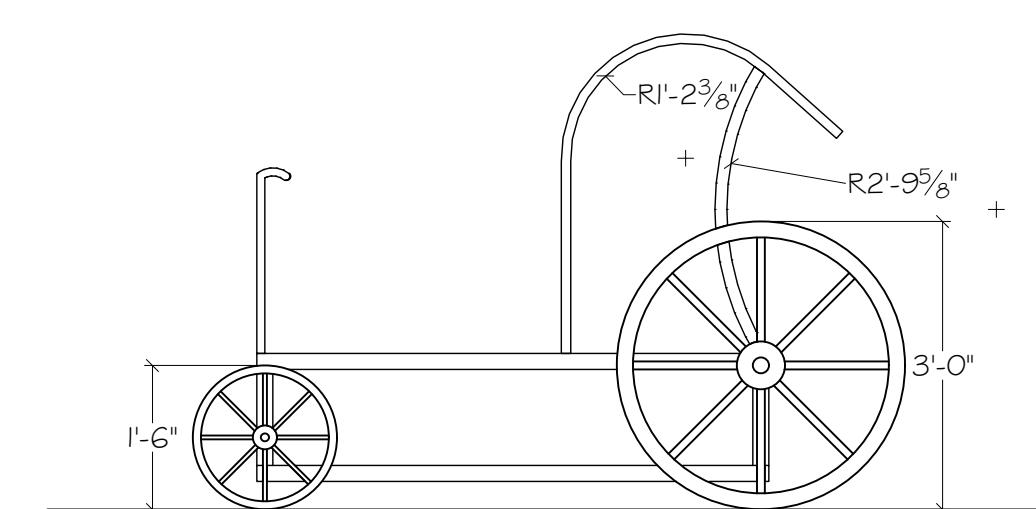


ISOMETRIC VIEW
CARRIAGE UNIT

NOTES:
 1. WAGON WHEELS MAY BE FOUND, BUT MUST BE PRACTICAL.
 2. CARRIAGE MUST BE ABLE TO ROLL WITH TWO ACTORS INSIDE.



FRONT VIEW
CARRIAGE UNIT



RIGHT SIDE VIEW
CARRIAGE UNIT

ALL MATERIALS, CONSTRUCTION AND FINISHES MUST COMPLY WITH THE MOST STRINGENT APPLICABLE FEDERAL AND LOCAL SAFETY CODES.
 THIS DRAWING AND ALL THE IDEAS, ARRANGEMENTS, DESIGNS AND PLANS CONTAINED HEREIN OR REPRESENTED THEREBY ARE OWNED AND REMAIN THE PROPERTY OF THE DESIGNER, AND HAVE BEEN CREATED AND DEVELOPED FOR USE ON, AND IN CONNECTION WITH, THE PROJECT SPECIFIED. NEITHER THIS DRAWING NOR ANY OF SUCH IDEAS, ARRANGEMENTS, DESIGNS OR PLANS SHALL BE APPROPRIATED BY OR DISCLOSED TO ANY PERSON, FIRM OR CORPORATION FOR ANY USE WHATSOEVER, EXCEPT BY SPECIFIC AND WRITTEN PERMISSION OF THE DESIGNER.
 WRITTEN DIMENSIONS ON DRAWINGS SHALL HAVE AUTHORITY OVER SCALED CONSTRUCTORS AND MANUFACTURERS SHALL VERIFY AND BE RESPONSIBLE FOR ALL DIMENSIONS AND CONDITIONS ON THE JOB, AND SHALL INFORM THE DESIGNER OF ALL VARIATIONS FROM DRAWINGS PRIOR TO PERFORMING THE WORK. THE DESIGNER SHALL FIRST SEE AND APPROVE CONTRACTORS FULL-SIZE DETAILS BEFORE ANY FABRICATION IS BEGUN.
 THESE DRAWINGS REPRESENT VISUAL CONCEPTS AND CONSTRUCTION SUGGESTIONS ONLY. THE DESIGNER AND HIS/HER EMPLOYEES AND ASSISTANTS ARE NOT QUALIFIED TO DETERMINE THE STRUCTURAL APPROPRIATENESS OF THESE DECISIONS, AND WILL NOT ASSUME RESPONSIBILITY FOR IMPROPER ENGINEERING, CONSTRUCTION AND/OR HANDLING OF THE SCENERY REPRESENTED HEREIN.

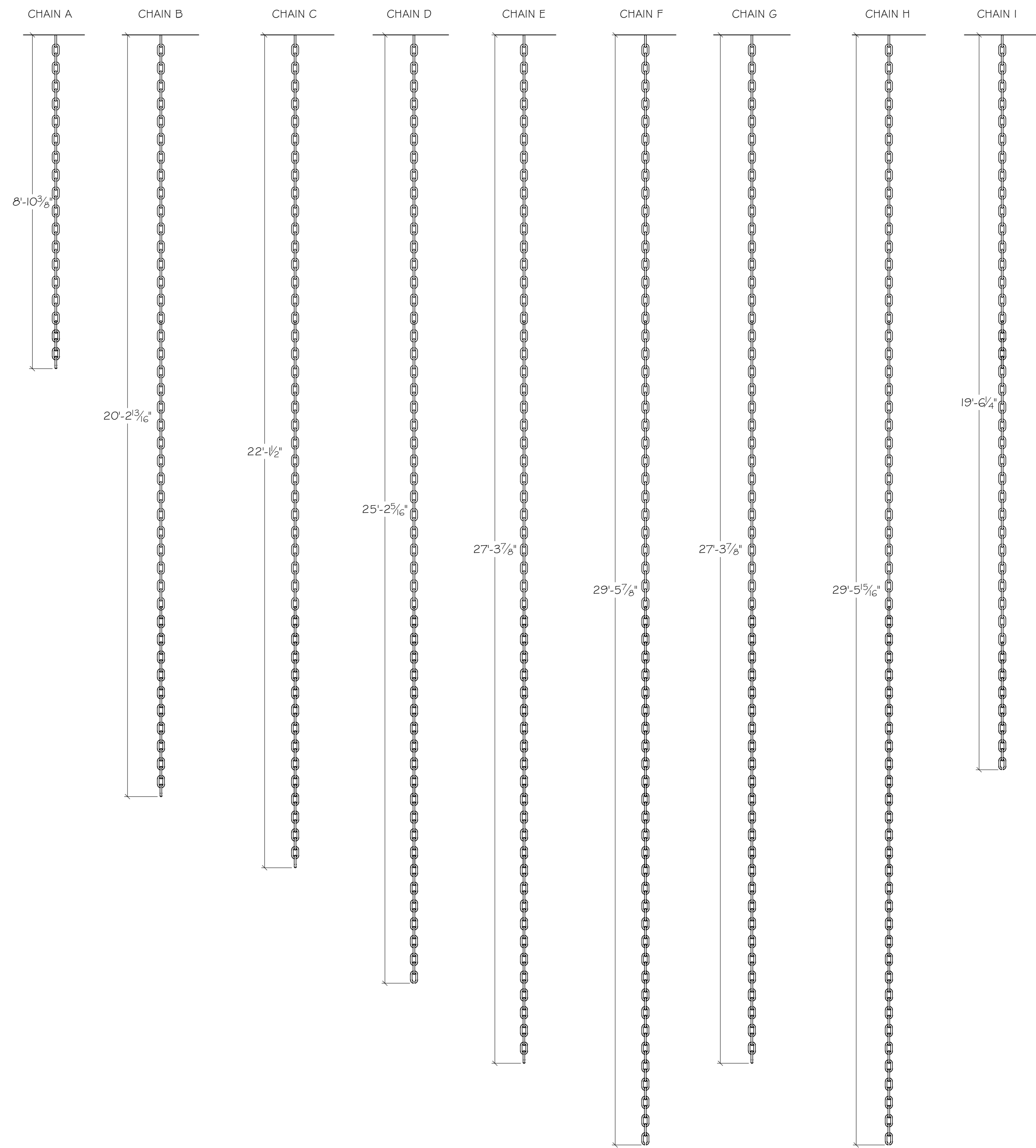
SCALE: 1/2" = 1'-0"
 DRWG: RACHEL ROSE BURKE
 DATE: 09/19/2020
 REVISION(S):

DRAWING TITLE
PLATFORMS & CARRIAGE

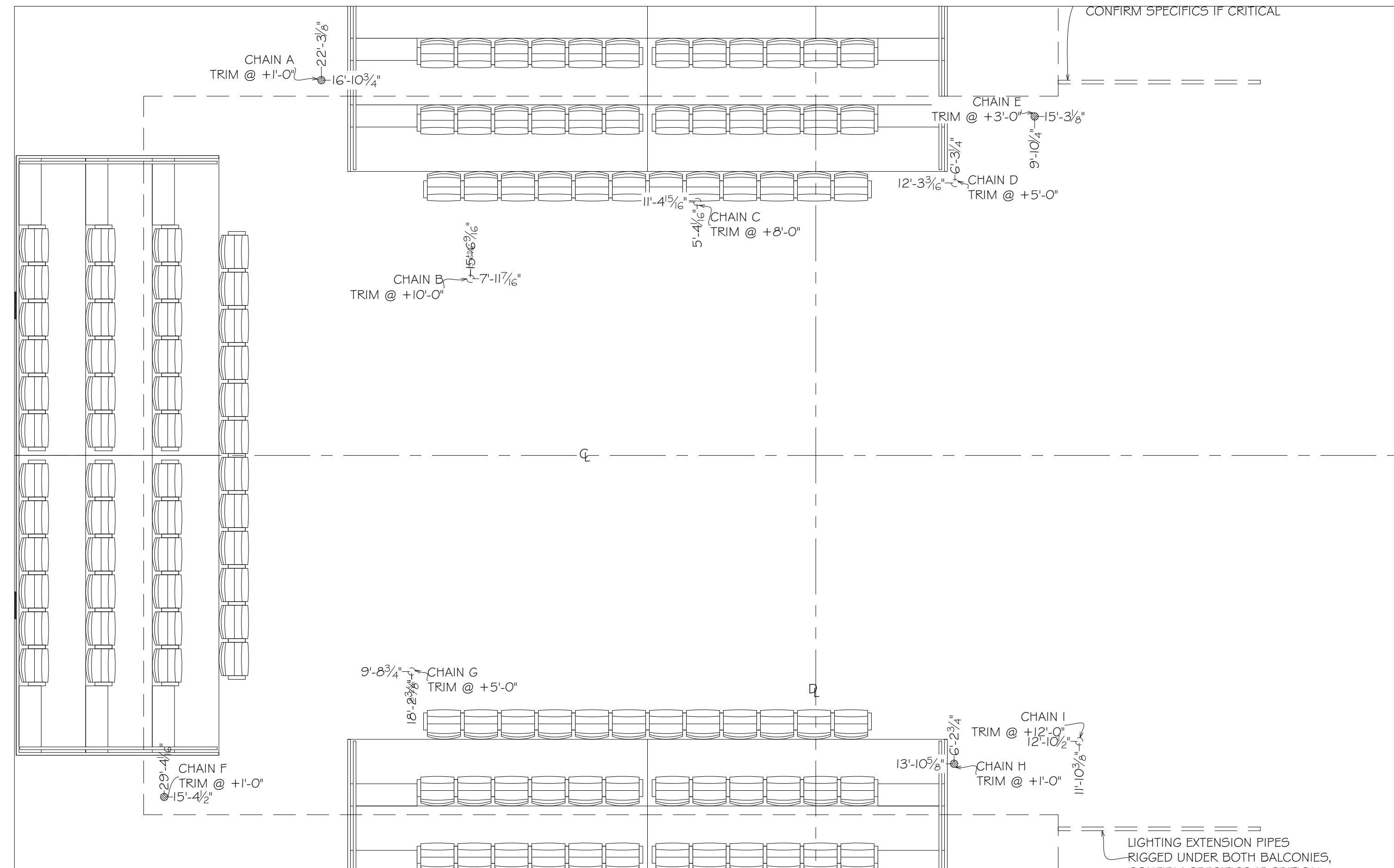
SHEET NO.
6

BONNETS

- NOTES:
1. 4" CHAIN LINKS
 2. THERE ARE 9 CHAIN LINK SECTIONS EQUALING A TOTAL OF AROUND 205'
 3. CHAINS SHOULD LOOK DARK AND AGED, SO WILL LIKELY NEED TO BE PAINTED



FRONT VIEW
CHAINS



HANG LAYOUT
SCALE: 1/4" = 1'-0"

ALL MATERIALS, CONSTRUCTION AND FINISHES MUST COMPLY WITH THE MOST STRINGENT APPLICABLE FEDERAL AND LOCAL SAFETY CODES.

THIS DRAWING AND ALL THE IDEAS, ARRANGEMENTS, DESIGNS AND PLANS CONTAINED HEREIN OR REPRESENTED THEREBY ARE OWNED AND REMAIN THE PROPERTY OF THE DESIGNER, AND HAVE BEEN CREATED AND DEVELOPED FOR USE ON, AND IN CONNECTION WITH, THE PROJECT SPECIFIED. NEITHER THIS DRAWING NOR ANY OF SUCH IDEAS, ARRANGEMENTS, DESIGNS OR PLANS SHALL BE APPROPRIATED BY OR DISCLOSED TO ANY PERSON, FIRM OR CORPORATION FOR ANY USE WHATSOEVER, EXCEPT BY SPECIFIC AND WRITTEN PERMISSION OF THE DESIGNER.

WRITTEN DIMENSIONS ON DRAWINGS SHALL HAVE AUTHORITY OVER SCALED CONSTRUCTORS AND MANUFACTURERS SHALL VERIFY AND BE RESPONSIBLE FOR ALL DIMENSIONS AND CONDITIONS ON THE JOB, AND SHALL INFORM THE DESIGNER OF ALL VARIATIONS FROM DRAWINGS PRIOR TO PERFORMING THE WORK. THE DESIGNER SHALL FIRST SEE AND APPROVE CONTRACTOR'S FULL-SIZE DETAILS BEFORE ANY FABRICATION IS BEGUN.

THESE DRAWINGS REPRESENT VISUAL CONCEPTS AND CONSTRUCTION SUGGESTIONS ONLY. THE DESIGNER AND HIS/HER EMPLOYEES AND ASSISTANTS ARE NOT QUALIFIED TO DETERMINE THE STRUCTURAL APPROPRIATENESS OF THESE DECISIONS, AND WILL NOT ASSUME RESPONSIBILITY FOR IMPROPER ENGINEERING, CONSTRUCTION AND/OR HANDLING OF THE SCENERY REPRESENTED HEREIN.

SCALE: 1/2" = 1'-0" & AS NOTED
 DRWG: RACHEL ROSE BURKE
 DATE: 09/19/2020
 REVISION(S):

DRAWING TITLE
CHAINS

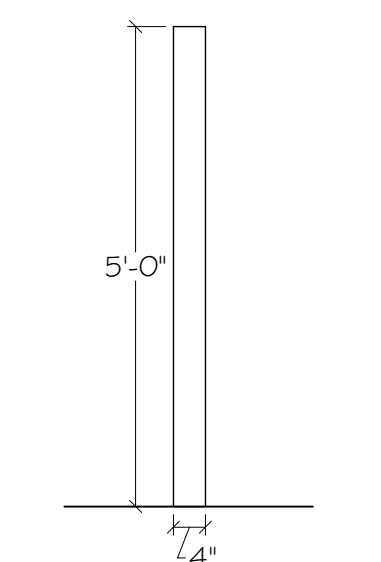
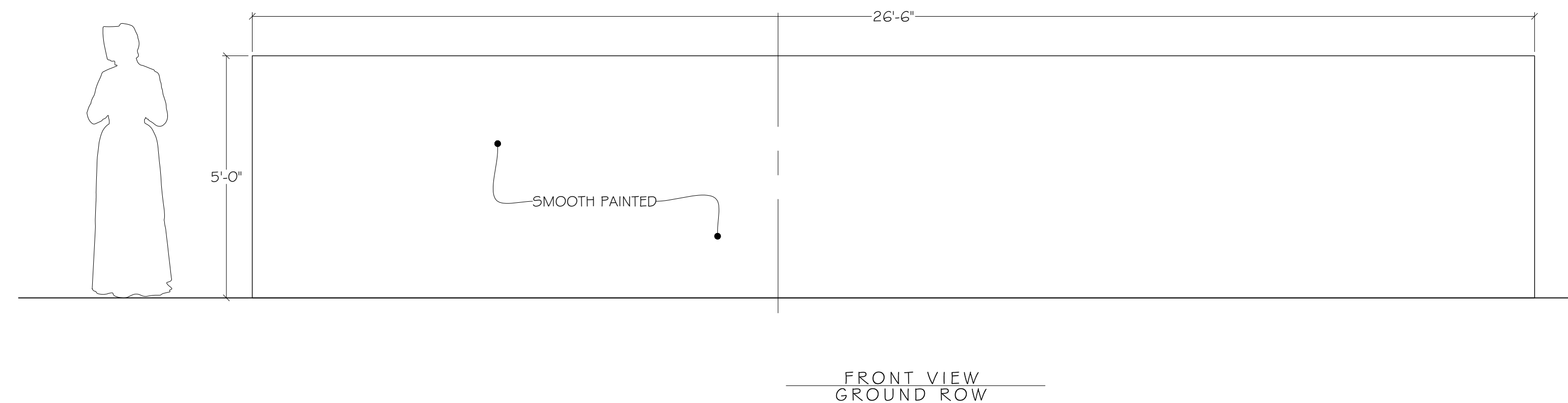
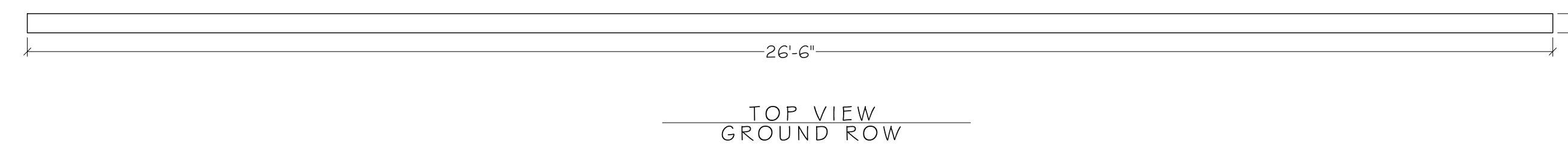
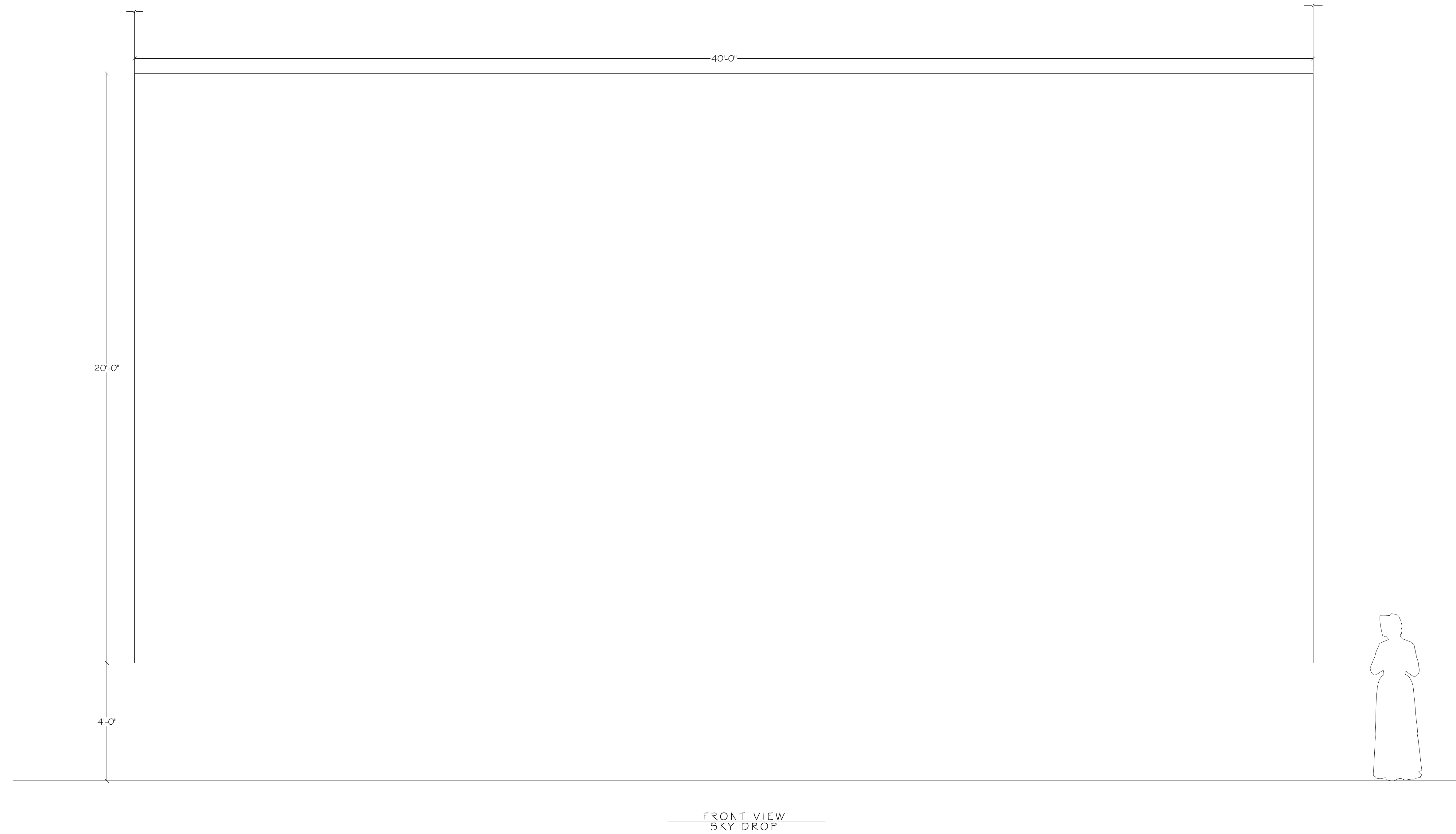
SHEET NO.

BONNETS

NOTES:

- SKY DROP
 1. DROP SKU: 4020 1250 FROM BACKDROPS BEAUTIFUL
 2. TRIM IS AT +4'-0"
 3. LOCATED ON LINESET 2

- GROUND ROW
 4. LIGHTING REQUESTS THAT IT MAY BE STRONG ENOUGH TO POTENTIALLY MOUNT LIGHTS TO SPEAK WITH LIGHTING DESIGNER



ALL MATERIALS, CONSTRUCTION AND FINISHES MUST COMPLY WITH THE MOST STRINGENT APPLICABLE FEDERAL AND LOCAL SAFETY CODES.

THIS DRAWING AND ALL THE IDEAS, ARRANGEMENTS, DESIGNS AND PLANS CONTAINED HEREIN OR REPRESENTED THEREBY ARE OWNED AND REMAIN THE PROPERTY OF THE DESIGNER, AND HAVE BEEN CREATED AND DEVELOPED FOR USE ON, AND IN CONNECTION WITH, THE PROJECT SPECIFIED. NEITHER THIS DRAWING, NOR ANY OF SUCH IDEAS, ARRANGEMENTS, DESIGNS OR PLANS SHALL BE APPROPRIATED BY OR DISCLOSED TO ANY PERSON, FIRM OR CORPORATION FOR ANY USE WHATSOEVER, EXCEPT BY SPECIFIC AND WRITTEN PERMISSION OF THE DESIGNER.

WRITTEN DIMENSIONS ON DRAWINGS SHALL HAVE AUTHORITY OVER SCALED CONSTRUCTORS AND MANUFACTURERS SHALL VERIFY AND BE RESPONSIBLE FOR ALL DIMENSIONS AND CONDITIONS ON THE JOB, AND SHALL INFORM THE DESIGNER OF ALL VARIATIONS FROM DRAWINGS PRIOR TO PERFORMING THE WORK. THE DESIGNER SHALL FIRST SEE AND APPROVE CONTRACTOR'S FULL-SIZE DETAILS BEFORE ANY FABRICATION IS BEGUN.

THESE DRAWINGS REPRESENT VISUAL CONCEPTS AND CONSTRUCTION SUGGESTIONS ONLY. THE DESIGNER AND HIS/HER EMPLOYEES AND ASSISTANTS ARE NOT QUALIFIED TO DETERMINE THE STRUCTURAL APPROPRIATENESS OF THESE DESIGNS, AND WILL NOT ASSUME RESPONSIBILITY FOR IMPROPER ENGINEERING, CONSTRUCTION AND/OR HANDLING OF THE SCENERY REPRESENTED HEREIN.

SCALE:	1/2" = 1'-0"
DRWG:	RACHEL ROSE BURKE
DATE:	09/19/2020
REVISION(S):	

DRAWING TITLE

**SKY DROP &
GROUND ROW**

SHEET NO.

8